

CARD READER UNIT

CN1 (BS12P-SHF-1AA)

NO	Pin NAME	I/O	LOGIC	NOTE
1	REV	I	L	MOTOR REVERSE SIG.
2				
3	WEN	I	H/L	R/W CONTROL
4	WDT	I		WRITE DATA
5	WPR	O	L	WRITE PROTECT SIG.
6	MSW	O	L	MOTOR DETECT SW
7	CLD	O	L	CARD LOAD SIG.
8	MON	I	L	MOTOR CONTROL SIG.
9	RCK	O	L	DEMODULATION CLOCK PULSE
10	RDT	O	L	DEMODULATION DATA PULSE
11	Vcc	I		Vcc (for SIGNAL SECTION)
12	GND	I		GND (for SIGNAL SECTION)

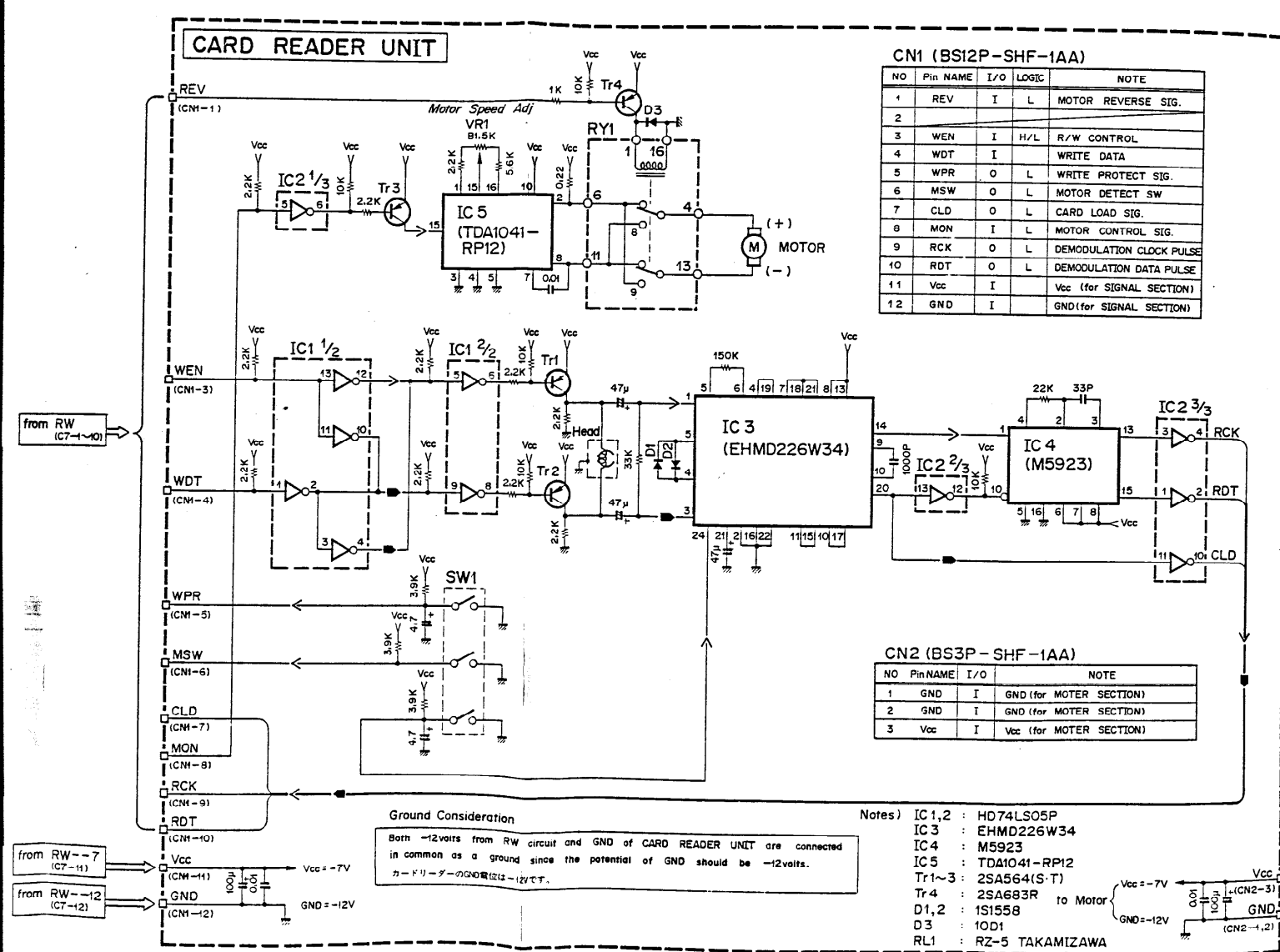
CN2 (BS3P-SHF-1AA)

NO	Pin NAME	I/O	NOTE
1	GND	I	GND (for MOTER SECTION)
2	GND	I	GND (for MOTER SECTION)
3	Vcc	I	Vcc (for MOTER SECTION)

Ground Consideration

Both -12volts from RW circuit and GND of CARD READER UNIT are connected in common as a ground since the potential of GND should be -12volts.
 カードリーダーのGND電位は-12Vです。

- Notes) IC 1,2 : HD74LS05P
 IC 3 : EHMD226W34
 IC 4 : M5923
 IC 5 : TDA1041-RP12
 Tr1~3 : 2SA564(S-T)
 Tr4 : 2SA683R to Motor
 D1,2 : 1S1558
 D3 : 10D1
 RL1 : RZ-5 TAKAMIZAWA



from RW (C7-1~10)

from RW--7 (C7-11)

from RW--12 (C7-12)

